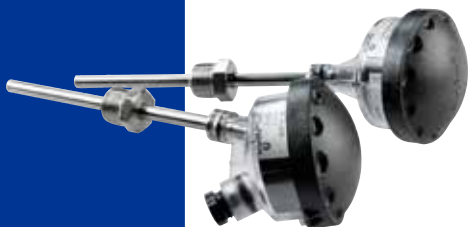


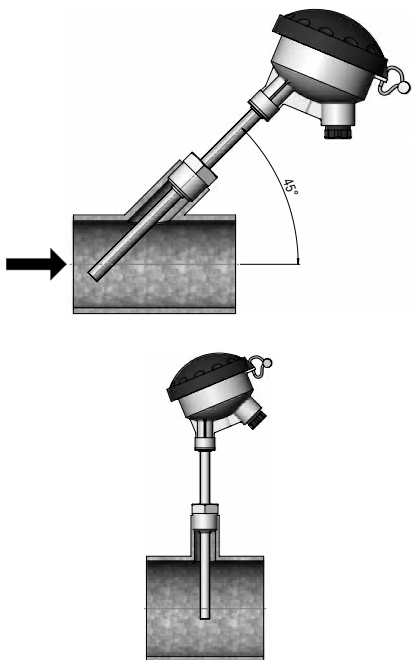
Installation and user's guide

**Temperature pocket with head
for Kamstrup sensor insert**

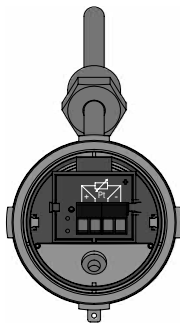
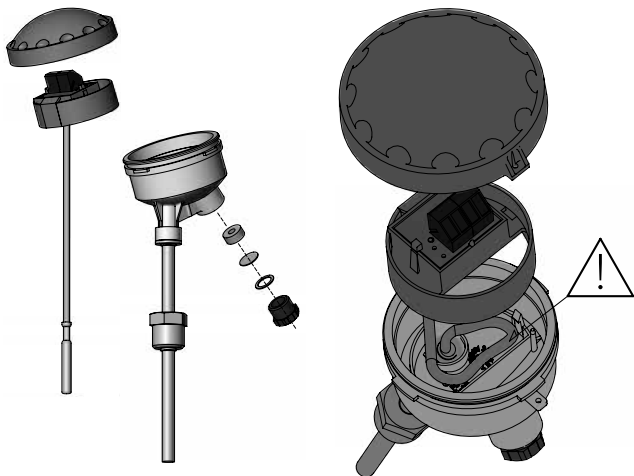


Temperature pocket with head for Kamstrup sensor insert

Examples of installation of temperature pocket with head

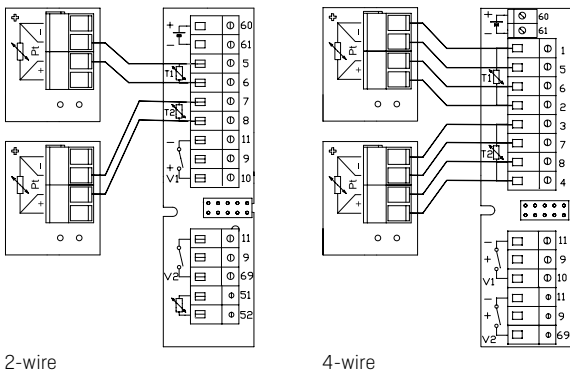


Examples of installation of sensor insert in pocket with head

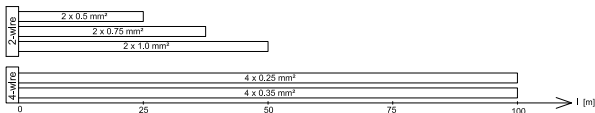


Connection cable, $\varnothing 5\text{--}10$ mm
(MULTICAL® max. $\varnothing 6$ mm)

Examples of electric connection of MULTICAL® to Kamstrup sensor insert

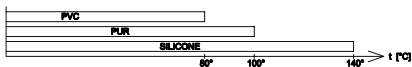


Pt500 Connecting cable



Please note that flow and return sensors must be connected with equally long cables when using two-wire connection. MULTICAL® 602 and MULTICAL® 801 are MID approved with 100 m of 4-wire cable.

Standard values for mantle materials



Dimensions of connecting cable: \varnothing 5-10 mm (MULTICAL® max. \varnothing 6 mm).