

Data sheet

Wireless M-Bus module

**C mode for MULTICAL® 602/62
and SVM S6**

- Wireless reading every 16 seconds
- Up to 13 years battery lifetime
- Stable and fast reading
- Unlicensed European frequency
- Standardised radio protocol
- Internal antenna and external antenna connection



Application

The Wireless M-Bus module is designed for use in Kamstrup’s heat, cooling and combined heat/cooling meters MULTICAL® 602 and SVM S6, and in the water meter MULTICAL® 62.

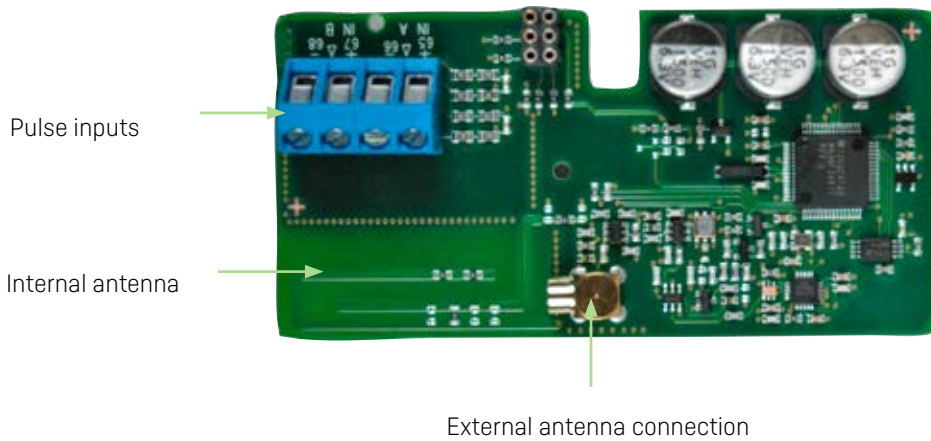
The module is available in 2 variants:

- Standard registers with focus on battery lifetime
- Alternative registers with focus on functionality

The module automatically finds the meter types in which it is installed and is ready for communication without further configuration within 16 seconds.

Even though the module is designed for hand-held solutions, it is prepared for forming part of network solutions such as a Radio Link Network.

Module



Technical data

Frequency	868.95 MHz [EU licence-free area 868-870 MHz]
Communication	Wireless M-Bus, C mode, one-way communication
Standard	EN13757-4: 2013
Transmission interval	16 seconds
Transmission strength	10 mW
Battery lifetime	up to 13 years
Range	
- internal antenna	Up to 200 meters
- external antenna	Up to 500 meters
Update interval (data)	Every 2 minutes

Mechanical data

Dimensions [L X W x D]	90 x 44 x 16 mm
Temperature range	-40°C...+ 70°C

Markings

R&TTE	EN300 220 – class 2 EN301 489, EN60 950, EN62 311
CE marked	

Wireless M-Bus module, standard registers

Data telegram

Current data	MULTICAL® 602 and SVM S6	MULTICAL® 62
Serial number	✓	✓
Heat energy E1 and/or cooling energy E3	✓	
Energy E8 m ³ x T1	✓	
Energy E9 m ³ x T2	✓	
Volume V1	✓	✓
In A	✓	✓
In B	✓	✓
Flow	✓	
T1	✓	
T2	✓	
Yearly max power		
TA2		
TA3		
Info code	✓	✓
Operating hour counter	✓	✓
Date	✓	✓
Monthly data		
Heat energy E1 and/or cooling energy E3	✓	
Volume V1	✓	✓
In A	✓	✓
In B	✓	✓
Date	✓	✓

Ordering

Description	Type No.
Wireless M-Bus module, standard registers	6020030000000
External antenna, mini triangle antenna, 2.5 m cable	6699 448

Wireless M-Bus module, alternative registers

Data telegram

Current data	MULTICAL® 601/801	MULTICAL® 61
Serial number	✓	✓
Heat energy E1 and/or cooling energy E3	✓	
Energy E8 m ³ x T1	✓	
Energy E9 m ³ x T2	✓	
Volume V1	✓	✓
In A	✓	✓
In B	✓	✓
Flow	✓	
T1	✓	
T2	✓	
Yearly max power	✓	
TA2	✓	
TA3	✓	
Info code	✓	✓
Operating hour counter	✓	✓
Date	✓	✓
Monthly data		
Heat energy E1 and/or cooling energy E3	✓	
Volume V1	✓	✓
In A	✓	✓
In B	✓	✓
Date	✓	✓

Ordering

Description

Wireless M-Bus module, alternative registers
 External antenna, mini triangle antenna, 2.5 m cable

Type No.

6020035000000
 6699 448

Kamstrup A/S

Industrivej 28, Stilling
 DK-8660 Skanderborg
 T: +45 89 93 10 00
 F: +45 89 93 10 01
 info@kamstrup.com
 kamstrup.com