

### Application

Uniform configuration and operation of various smart SAMSON devices

TROVIS-VIEW is a standard operator interface, allowing the user to configure and parameterize various SAMSON instruments using a device-specific database module. Data is transferred between the TROVIS-VIEW software and the SAMSON device either directly (e.g. using a connecting cable or infrared adapter; also see Table 1) or indirectly using a memory pen or memory module.

A direct connection enables both online and offline operation. This means that data can be changed in the device immediately, or they can be saved on the PC first and later downloaded to the device on site.

The device-specific modules contain a database providing the characteristic properties of each device type, such as parameters, data points, user levels, etc. The various user levels can be protected with passwords.

The available modules are being extended constantly.



Learning to operate TROVIS-VIEW is easy, as it uses the look and feel of Windows® Explorer. It includes features such as:

- Tree structure
- List view
- Select
- Context-sensitive menus by clicking the right mouse button
- Open and save

### Hardware requirements

A PC with the following minimum requirements is needed:

- Pentium II processor or equivalent (300 MHz or faster), 500 MHz recommended
- RS-232 serial interface or USB/RS-232 adapter (USB Converter 3 for TROVIS 5500 Series) and, depending on the SAMSON device used, the suitable hardware as specified in Table 1
- Min. 96 MB RAM, 192 MB RAM recommended
- Min. 150 MB of available hard disk space. Additionally, 15 to 20 MB of available hard disk space per SAMSON module
- SVGA graphics card (min. 800 x 600)
- CD-ROM drive

### Software requirements

- Operating system: Windows® 2000 (min. SP2), Windows® XP, Windows® Vista
- Microsoft® .NET Framework Version 2.0 or higher (included on installation CD-ROM)
- Internet browser: Microsoft® Internet Explorer Version 6 or higher

### Scope of delivery

The TROVIS-VIEW Configuration and Operator Interface and the device-specific modules are delivered on a CD-ROM together with the associated online documentation.

Software updates can be downloaded from the "Support & Downloads" section of our website at <http://www.samson.de>.

### Accessories (Figs. 1 to 3)

- |  |                     |
|--|---------------------|
| • USB 1.1 serial adapter   | Order no. 8812-2001 |
| • USB Converter3   | Order no. 1400-9377 |
| • Hardware package (memory pen, modular adapter, connecting cable) | Order no. 1400-7704 |
| • Memory pen   | Order no. 1400-7697 |
| • Memory pen – 64  | Order no. 1400-9753 |
| • Memory module  | Order no. 1400-9379 |
| • Connecting cable   | Order no. 1400-7699 |
| • Infrared adapter   | Order no. 8864-0900 |
| • Holding fixture for infrared adapter                             | Order no. 1400-9769 |
| • Serial interface adapter   | Order no. 1400-7700 |
| • Isolated USB interface adapter                                   | Order no. 1400-9740 |
| • FSK modem  |                     |
| – RS-232 EEx (ia)  | Order no. 8812-0129 |
| – RS-232 (not explosion-protected)                                 | Order no. 8812-0130 |
| – PCMCIA (not explosion-protected)                                 | Order no. 8812-0131 |
| – USB (not explosion-protected)                                    | Order no. 8812-0132 |
| • USB dongle for EXPERT+ diagnostics                               | Order no. 1400-9555 |

### Ordering text TROVIS-VIEW

6661-1 □ □ □

TROVIS 5431 Heating Controller	0 0 1
TROVIS 5432 Heating Controller	0 0 2
TROVIS 5433 Heating Controller	0 0 3
TROVIS 5573 Heating Controller	0 1 4
TROVIS 5575 Heating Controller	0 1 1
TROVIS 5576 Heating Controller	0 1 2
TROVIS 5579 Heating Controller	0 1 3
TROVIS 6493 Compact Controller	0 3 1
TROVIS 6495 Industrial Controller	0 3 3
Type 3730-2 Positioner	0 5 1
Type 3730-3 Positioner	0 5 6
Type 3730-4 Positioner	0 5 7
Type 3730-5 Positioner	0 5 8
Type 3731-3 Positioner	0 6 3
Type 3731-5 Positioner	0 6 5
Type 3780 Positioner	0 5 2
Type 3785 Positioner	0 5 3
Type 3787 Positioner	0 5 4
Digital positioner with Type 3374 Actuator	0 5 5
Digital positioner with Type 5824/ Type 5825 Actuator	0 5 9
Digital positioner with Type 5857 Actuator	0 6 1
Type 5724/5725 Controller with Electric Actuator	0 6 0
Type 5757 Controller with Electric Actuator	0 6 2
Type 5757-7 Controller with Electric Actuator	0 6 6
Media 6	0 8 1

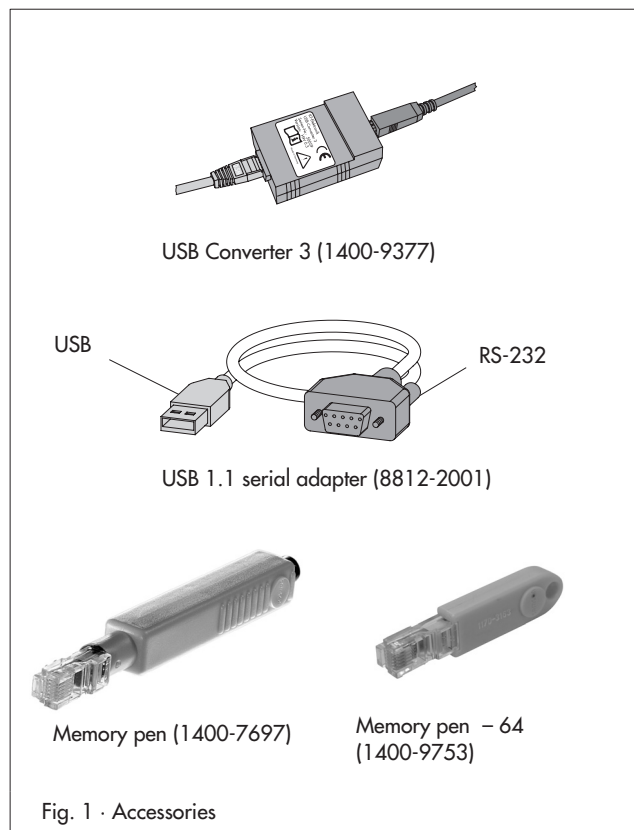
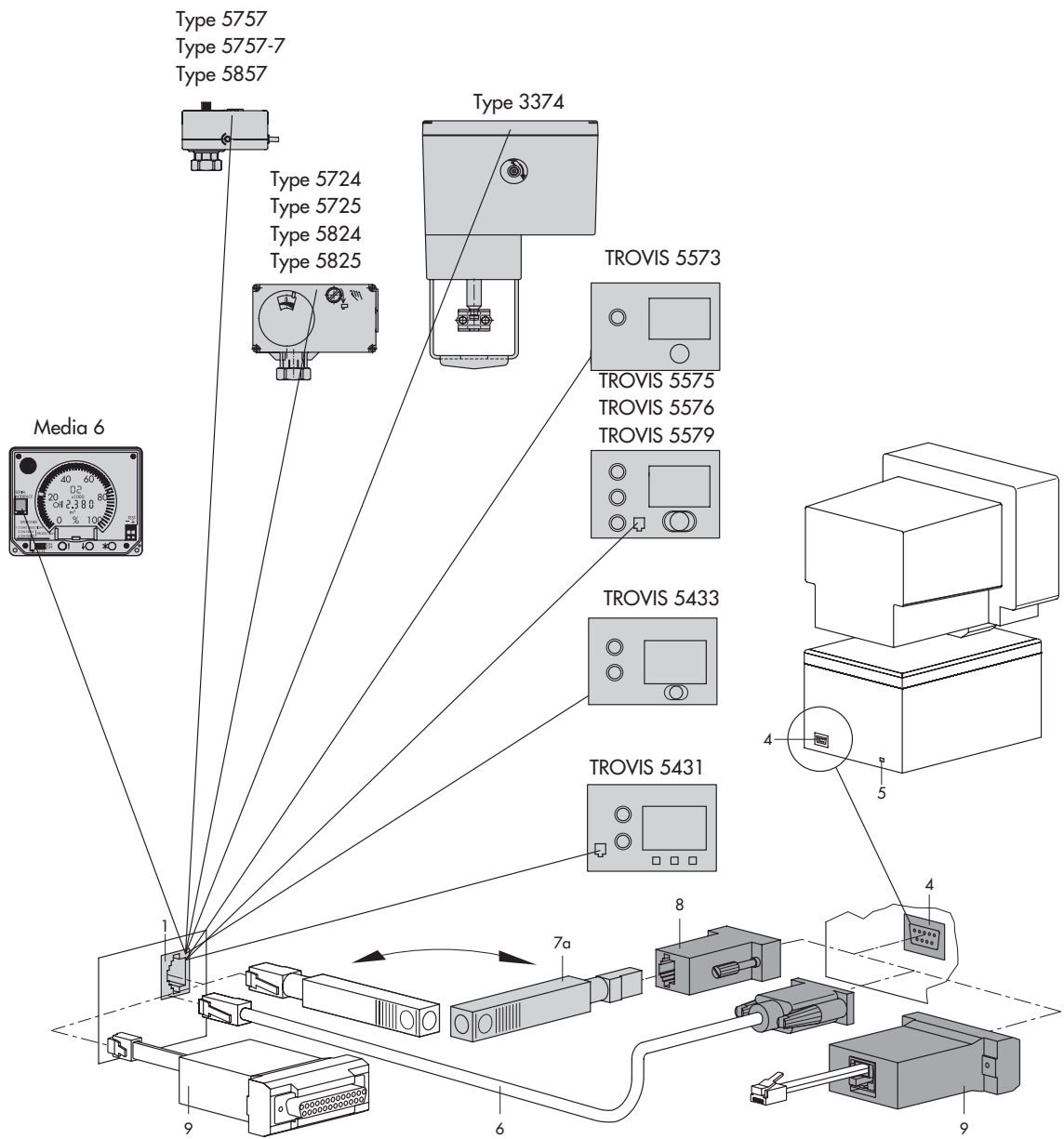


Fig. 1 · Accessories



- 1 RJ-12 jack of SAMSON device
- 4 COM port (RS-232) of PC\*
- 5 USB port of PC\*
- 6 Connecting cable
- 7a Memory pen
- 8 Modular adapter
- 9 Memory module (TROVIS 5500 Series)

\* The connection can be made either over the computer's COM port or over the USB 1.1 serial adapter or USB Converter 3 (Fig. 1) under Windows® 2000 or Windows® XP.

Fig. 2 · Data transmission

- 1 RJ-12 jack of SAMSON device
- 2 Infrared interface of SAMSON device
- 3 USB interface of SAMSON device
- 4 COM port (RS-232) of computer\*
- 5 USB port of computer\*
- 6 Connecting cable
- 7b Memory pen – 64
- 8 Modular adapter
- 10 Serial interface adapter
- 11 FSK modem
- 12 Infrared adapter
- 13 USB cable (5-pin Mini-B/USB Type A)
- 14 Isolated USB interface adapter

\* The connection can be made either over the computer's COM port or over the USB 1.1 serial adapter or USB Converter 3 (Fig. 1) under Windows® 2000 or Windows® XP.

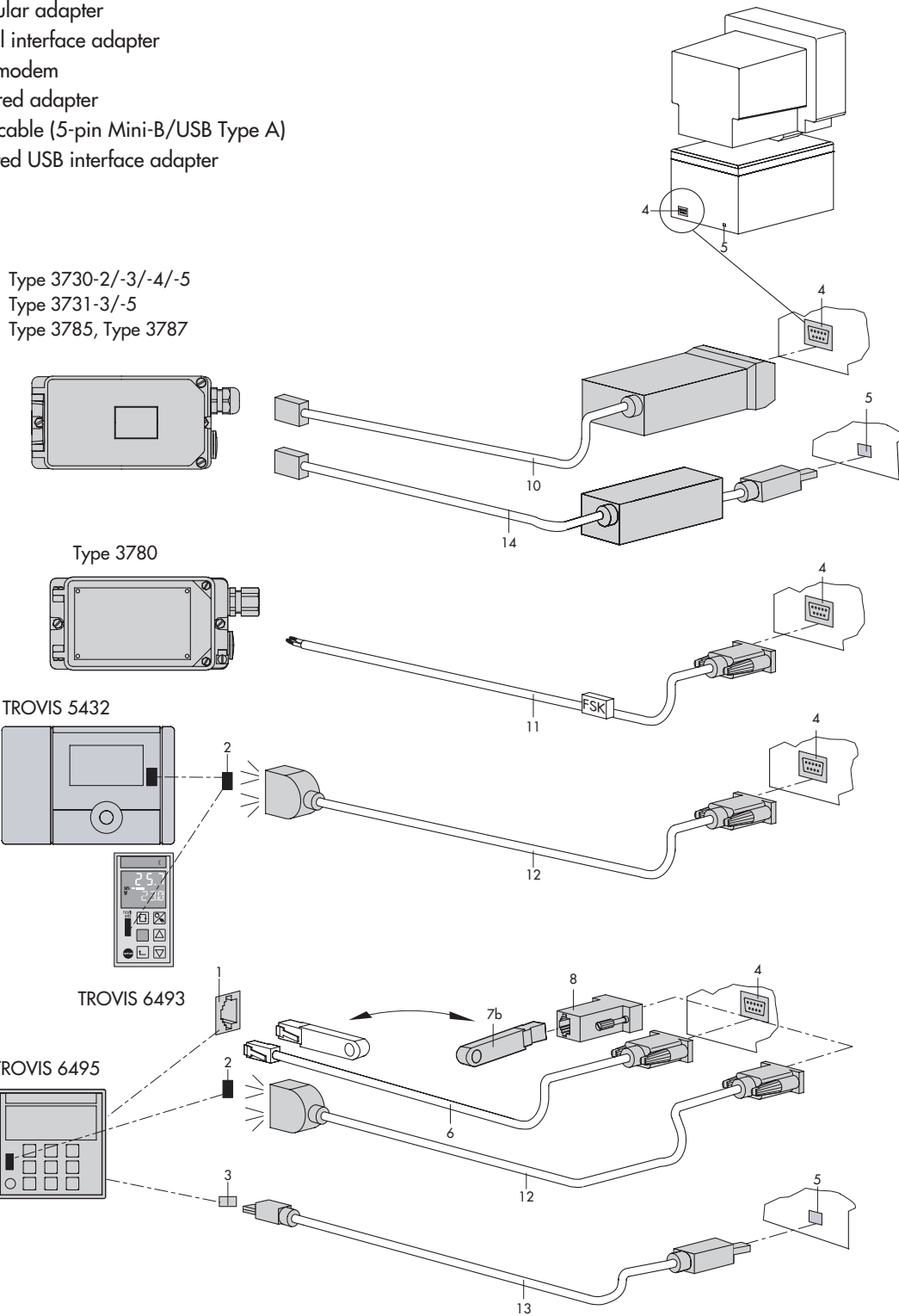


Fig. 3 · Data transmission

**Table 1 · Data transmission**

		Data transmission																		
		Direct					Indirect													
		Connecting cable	FSK modem	Serial interface adapter	Infrared adapter	Isolated USB interface adapter	USB Converter 3	USB cable	Memory pen	Memory pen – 64	Memory module	Modular adapter								
<b>SAMSON devices</b>	<b>Version (or higher)</b>																			
<b>Heating controllers</b>																				
TROVIS 5431	1.00	•										•	•						•	
TROVIS 5432	1.00				•															
TROVIS 5433	1.00	•										•	•							•
TROVIS 5573	1.00									•									•	
TROVIS 5575	1.13									•*									•	
TROVIS 5576	1.00									•*									•	
TROVIS 5579	1.20									•*									•	
<b>Compact controller</b>																				
TROVIS 6493	2.03 or 3.03				•															
<b>TROVIS 6495 Industrial Controller</b>																				
Without interface board	1.00				•															
With interface board 1 (RS-232, USB slave)		•			•				•			•								•
With interface board 2 (RS-485, USB slave)					•				•											
<b>Electropneumatic positioners</b>																				
Type 3730-2	1.10			•		•														
Type 3730-3 with HART® communication	1.10			•		•														
Type 3730-4 with PROFIBUS-PA communication	R 1.43, K 1.00			•		•														
Type 3730-5 with FOUNDATION™ fieldbus communication	R 1.40, K 1.20			•		•														
<b>Electropneumatic Ex d positioners</b>																				
Type 3731-3 with HART® communication	1.30			•		•														
Type 3731-5 with FOUNDATION™ fieldbus communication	R 1.45, K 1.00			•		•														
<b>Positioners</b>																				
Type 3780 with HART® communication	K 2.11		•																	
Type 3785 with PROFIBUS-PA communication PA device profile version 2.0 PA device profile version 3.0	K 1.60 – K 1.99 K 2.00			•		•														
Type 3787 with FOUNDATION™ fieldbus communication	K 1.10			•		•														
<b>Digital positioners for actuator</b>																				
Type 3374	1.00	•										•	•						•	
Type 5824/5825	1.00	•										•	•						•	
Type 5857	1.00	•										•	•						•	
<b>Controllers with electric actuators</b>																				
Type 5724/5725	1.00	•										•	•						•	
Type 5757	1.00	•										•	•						•	
Type 5757-7	1.00	•										•	•						•	
<b>Digital transmitter</b>																				
Media 6	2.00	•										•	•						•	

\* Version V 1.41 or higher for TROVIS 5575, 5576, 5579

Specifications subject to change without notice.

---



SAMSON AG · MESS- UND REGELTECHNIK  
Weismüllerstraße 3 · 60314 Frankfurt am Main · Germany  
Phone: +49 69 4009-0 · Fax: +49 69 4009-1507  
Internet: <http://www.samson.de>

**T 6661 EN**

2008-11